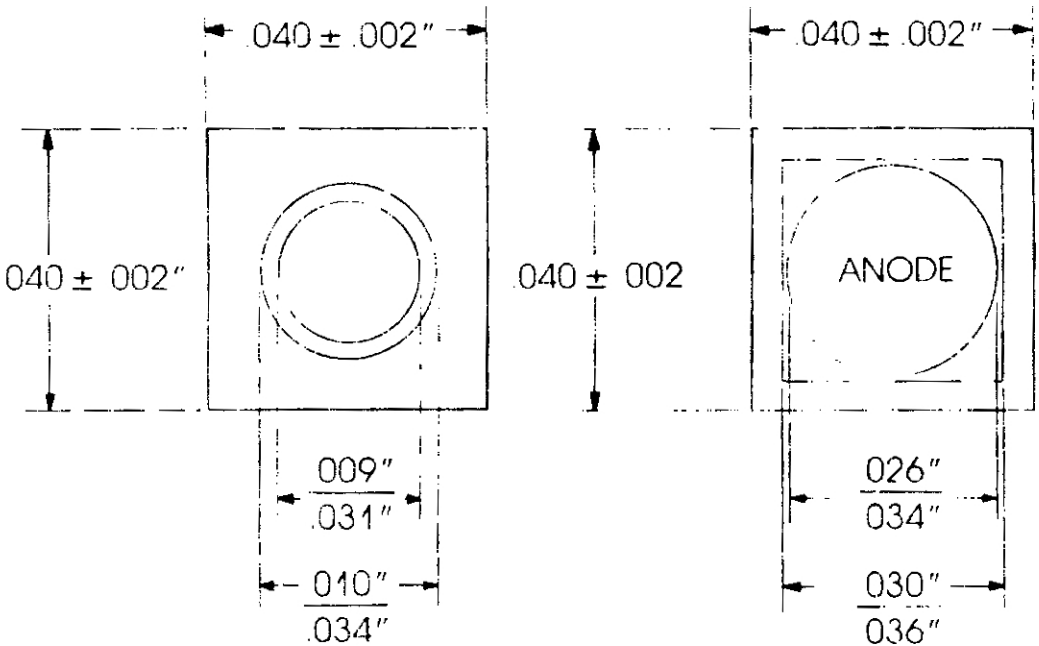


GEOMETRY 415



Back of chip is cathode